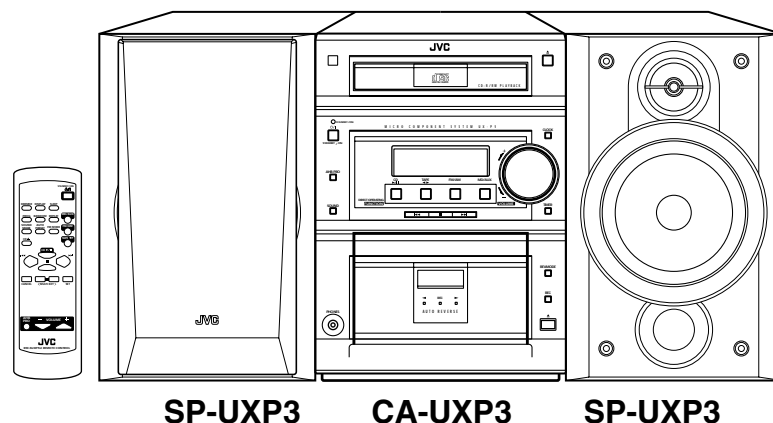


# JVC

# SERVICE MANUAL

## MICRO COMPONENT

## UX-P3


**Area Suffix**

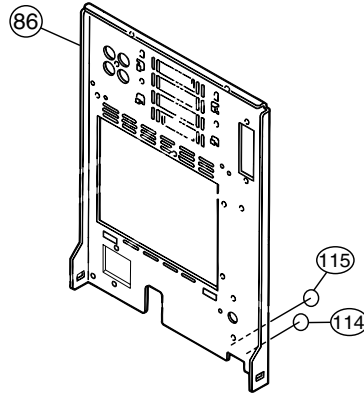
UF ..... China

**COMPACT**  
**disc**  
 DIGITAL AUDIO

This service manual is described only a different of parts list.  
 For such serviceing items as Instractions,disassembly method,  
 adjustment method,description of major ICs,block diagram,  
 standard schematic diagrams,printed circuit board and parts list,  
 Service manual UX-P3 UBUPUSUWUY (Issud No.20984).

**Contents**

- 1.Top cover
- 2.Parts list(General assembly)  
     (CD loading base)
- 3.Electrical parts list (Main board)  
     (Tuner Board)
4. Parts list (Packing)  
     (Accessories)
- 5.Back cover



■Parts list (General assembly)

P3-4 Block No. M1MM

⚠	Item	Parts name	Parts number		Q'ty
			UP version	UF version	
	30	EJECT SAFTY(R)	VKL7850-002	VKL7850-202	1
	45	TRAY	VYH1240-001	VYH1240-201	1
	47	SHIELD CASE	VMA4619-002	GV40226-002A	1
⚠	66	POWER CORD	QMPR310-200-JC	QMPS020-183-JC	1
	71	FFC WIRE	QUQ412-0914CJ	QUQB12-0914AJ	1
	72	FFC WIRE	QUQ412-1018CJ	QUQB12-1018AJ	1
	73	FFC WIRE	QUQ412-1314DJ	QUQB12-1314BJ	1
	74	FFC WIRE	QUQ412-1614DJ	QUQB12-1614BJ	1
	75	FFC WIRE	QUQ412-0507DJ	QUQB12-0507BJ	1
	76	FFC WIRE	QUQ110-1509AJ	QUQ810-1509AJ	1
	77	FFC WIRE	QUQ412-1710DJ	QUQB12-1710BJ	1
	78	FFC WIRE	QUQ412-0932DJ	QUQB12-0932BJ	1
	114	CCEE LABEL	-----	E409372-001	1
	115	CCIB LABEL	-----	LV41768-001A	1

■Parts list (CD loading base)

P3-9 Block No. M3MM

⚠	Item	Parts name	Parts number		Q'ty
			UP version	UF version	
	16	E.BASE ASS'Y	E307179-332	E307179-222SM	1
	20	PW BNOARD	VMW1329-101PP	VMW1329-102	1

**■Electrical parts list (Main board)**

P3-11 Block No. 01

△	Item	Parts name	Parts number	
			UP version	UF version
	C2212	E CAPACITOR	EETC1HM-105ZJC	QETC1HM-105Z-JB
	C2213	E CAPACITOR	EETC1CM-106ZJC	QETC1CM-106Z-JB
	C2214	E CAPACITOR	EETC1HM-105ZJC	QETC1HM-105Z-JB
	C2221	E CAPACITOR	EETC1AM-107ZJC	QETC1AM-107Z-JB
	C2224	E CAPACITOR	EETC1CM-107ZJC	QETC1CM-107Z-JB
	C2226	E CAPACITOR	EETC1HM-105ZJC	QETC1HM-105Z-JB
	C2229	E CAPACITOR	EETC1EM-106ZJC	QETC1EM-106Z-JB
	C2235	E CAPACITOR	EETC1HM-225ZJC	QETC1HM-225Z-JB
	C3201	E CAPACITOR	EETC1CM-107ZJC	QETC1CM-107Z-JB
	C3203	E CAPACITOR	EETC1CM-107ZJC	QETC1CM-107Z-JB
	C3205	E CAPACITOR	EETC1CM-107ZJC	QETC1CM-107Z-JB
	C7009	E CAPACITOR	EETC1HM-225ZJC	QETC1HM-225Z-JB
	C7010	E CAPACITOR	EETC1HM-475ZJC	QETC1HM-475Z-JB
	C7011	E CAPACITOR	EETC1CM-107ZJC	QETC1CM-107Z-JB

**■Electrical parts list (Tuner board)**

P3-17 Block No. 04

△	Item	Parts name	Parts number	
			UP version	UF version
	C 3	E CAPACITOR	EETC1CM-106ZJC	QETC1CM-106Z-JB
	C 14	E CAPACITOR	EEKC1AM-107ZJC	QEKC1AM-107Z
	C 25	E CAPACITOR	EEKC1AM-107ZJC	QEKC1AM-107Z
	C 30	E CAPACITOR	EEKC1CM-107ZJC	QETC1CM-107Z-JB
	C 31	E CAPACITOR	EETC1CM-226ZJC	QEKC1CM-226Z
	C 36	E CAPACITOR	EEKC1HM-105ZJC	QETC1HM-105Z-JB
	C 37	E CAPACITOR	EEKC1HM-105ZJC	QETC1HM-105Z-JB
	C 38	E CAPACITOR	EETC1HM-224ZJC	QETC1HM-224Z-JB
	C 39	E CAPACITOR	EETC1HM-105ZJC	QETC1HM-105Z-JB
	C 47	E CAPACITOR	EETC1HM-105ZJC	QETC1HM-105Z-JB
	C 50	E CAPACITOR	EETC1CM-226ZJC	QEKC1CM-226Z
	C 51	E CAPACITOR	EEKC1HM-105ZJC	QEKC1HM-105Z
	C 53	E CAPACITOR	EETC1CM-226ZJC	QETC1CM-226Z-JB
	R 15	MG RESISTOR	NRSA02J-222X	NRSA02J-332X

**■Parts list (Packing)**

P3-21 Block No. M5MM

△	Item	Parts name	Parts number		Q'ty
			UP version	UF version	
	P 2	CARTON ASSY	GV20111-001A	GV20111-003A	1
	P 3	CUSHION UPPER	GV10070-001A	GV10070-201A	1
	P 4	CUSHION BOTTOM	GV10075-001A	GV10075-201A	1

**■Parts list (Accessories)**

P3-21 Block No. M6MM

△	Item	Parts name	Parts number		Q'ty
			UP version	UF version	
	A 3	INST BOOK (LANGUAGE)	GVT0053-004A (KOR)	GVT0053-011A (CHI)	1
	A 9	WARRANTY CARD	BT-56010-1	BT-59007-2	1
	A 10	S.CENTER LIST	-----	BT-59009-1	1



VICTOR COMPANY OF JAPAN, LIMITED  
PERSONAL & MOBILE NETWORK BUSINESS UNIT. 10-1,1chome,Ohwatari-machi,Maebashi-city,371-8543,Japan